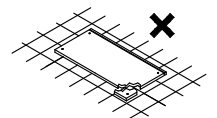
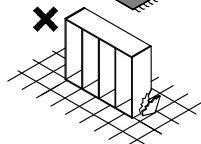
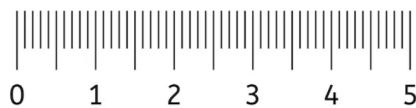
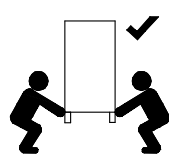
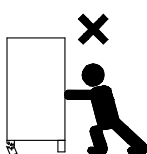
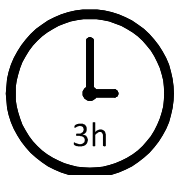
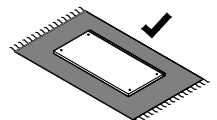
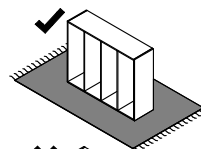
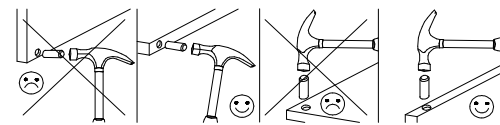
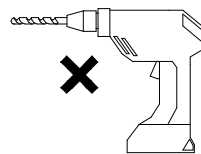
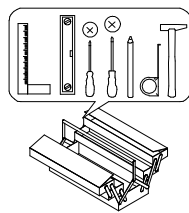
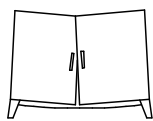
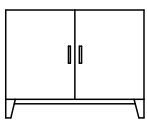
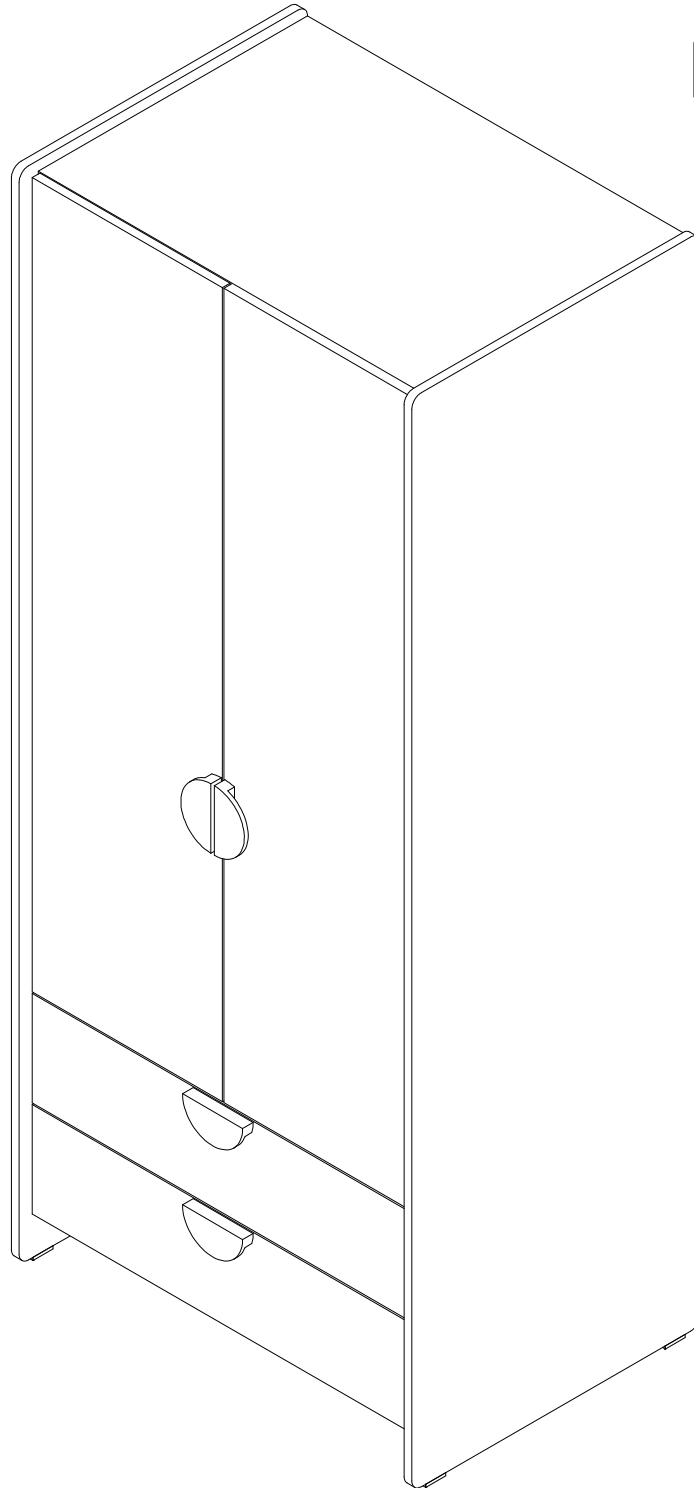
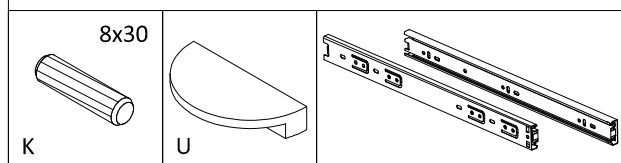
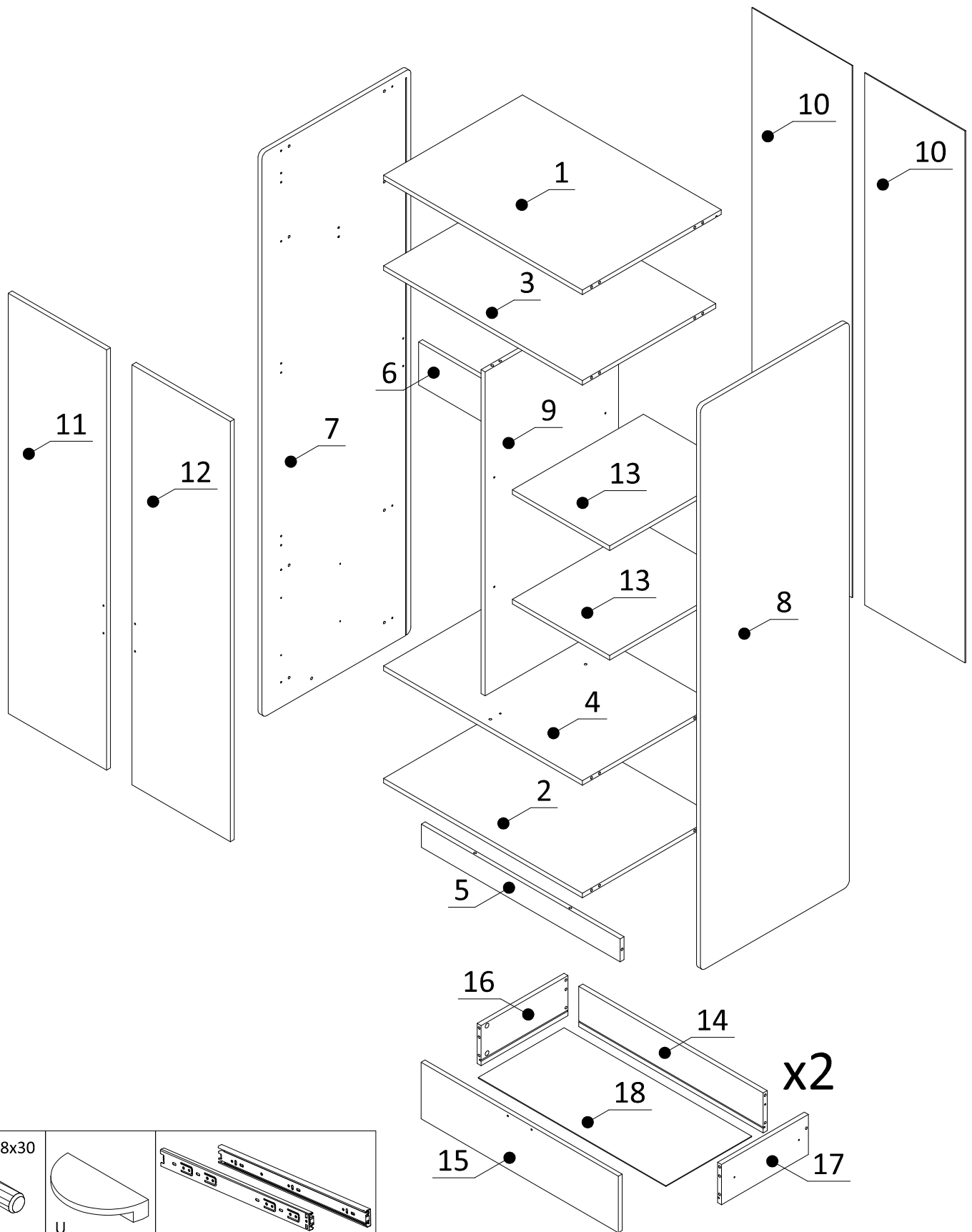
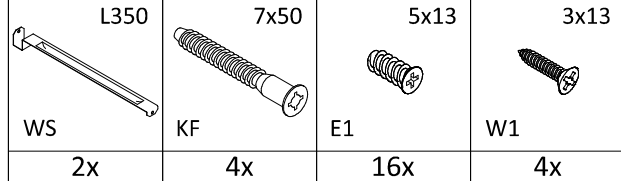


# LEXI R-2

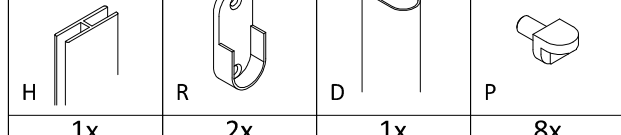




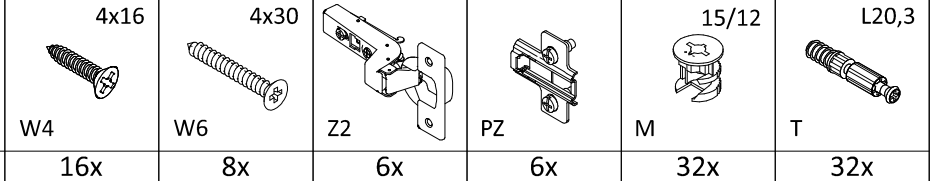
8x30  
K  
U  
2x PK-0H35-350



L350  
36x  
7x50  
4x  
5x13  
16x  
3x13  
4x  
4x16  
16x  
4x30  
8x



2x  
2x  
1x  
8x  
32x  
5x  
1x  
27x  
10x  
1x

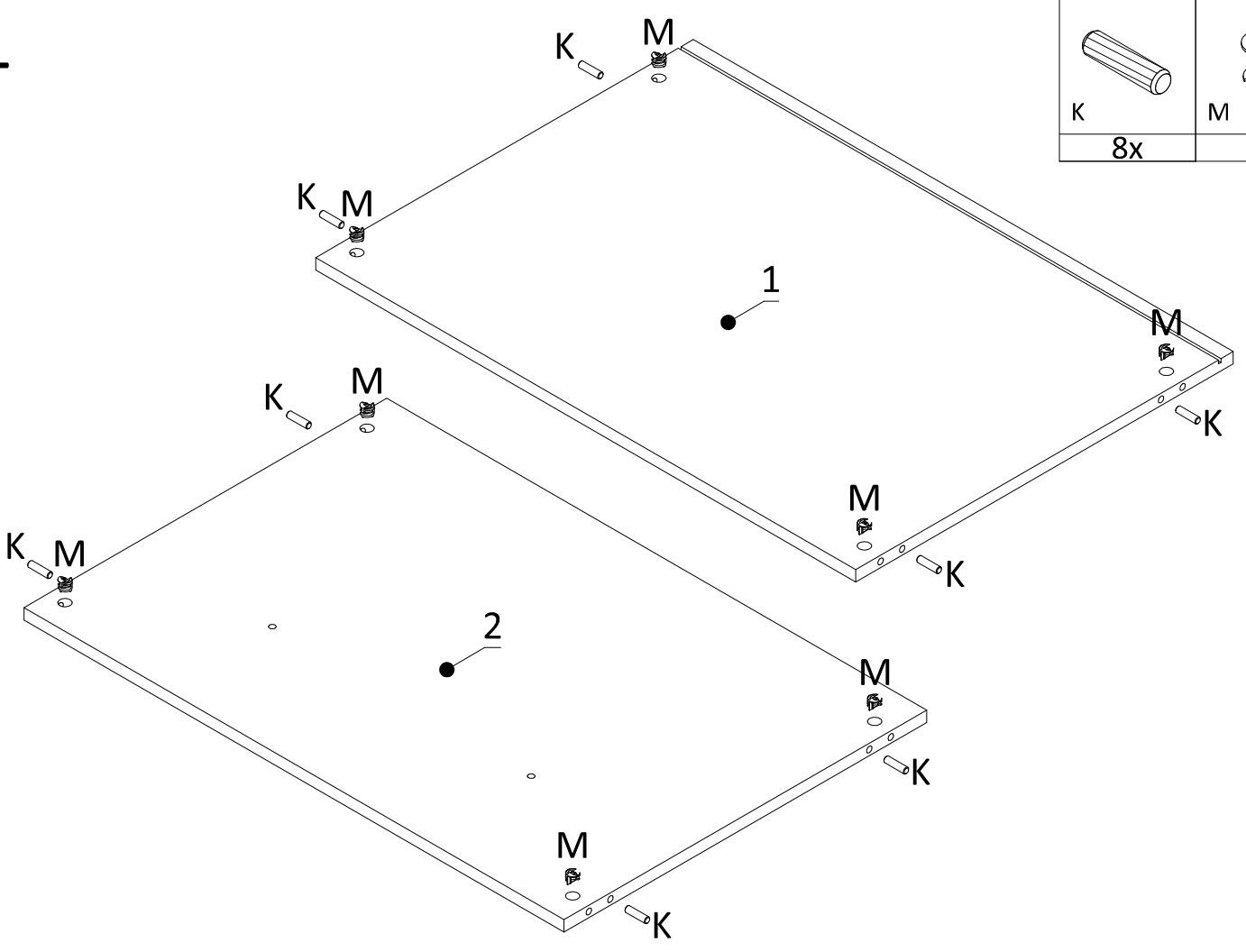


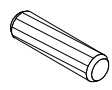

6x  
6x  
32x  
32x  
15/12  
32x  
L20,3  
32x

2x20  
10x  
1x

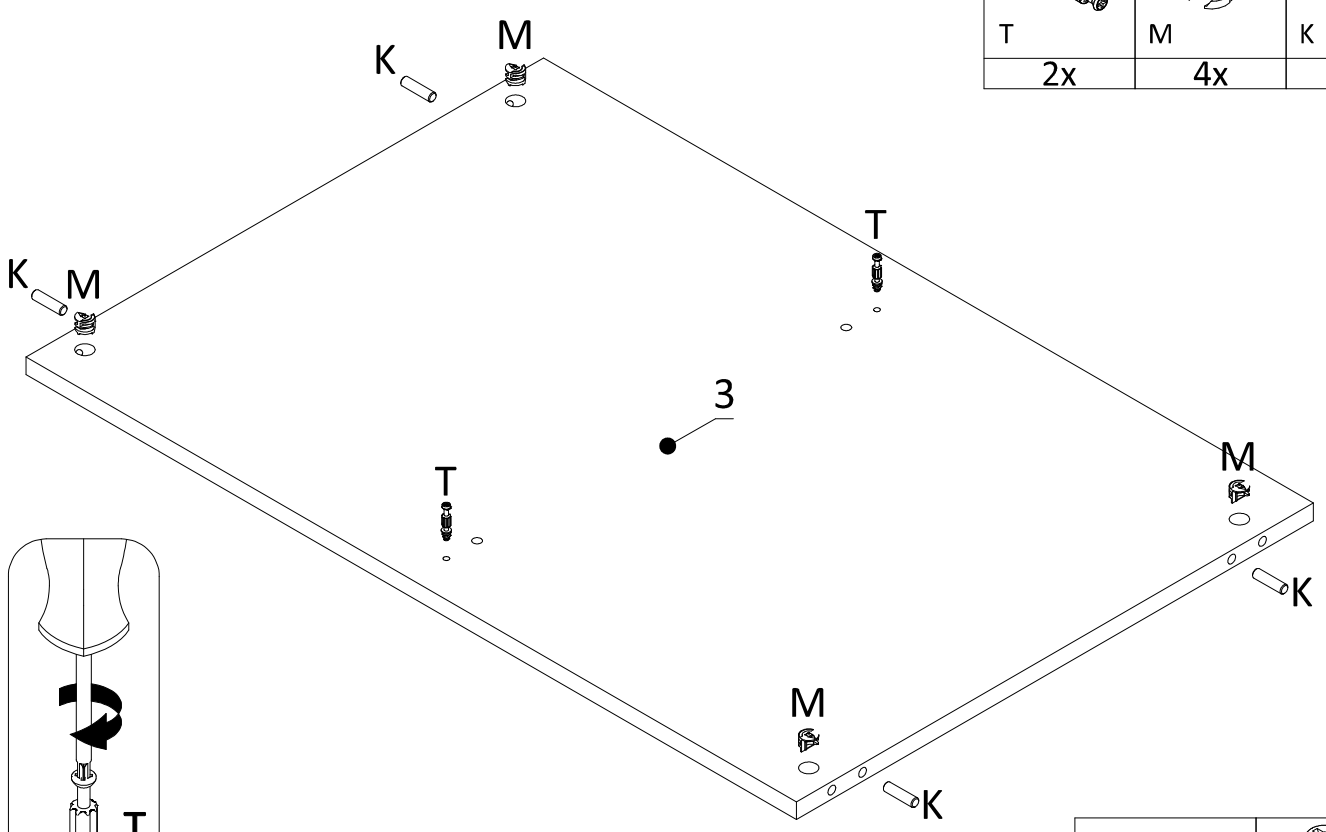
x2

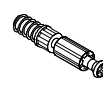

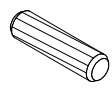
# 1

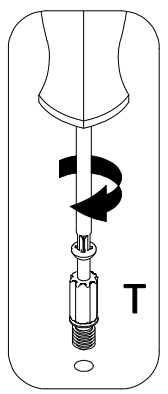



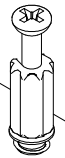
	
K	M
8x	8x

# 2

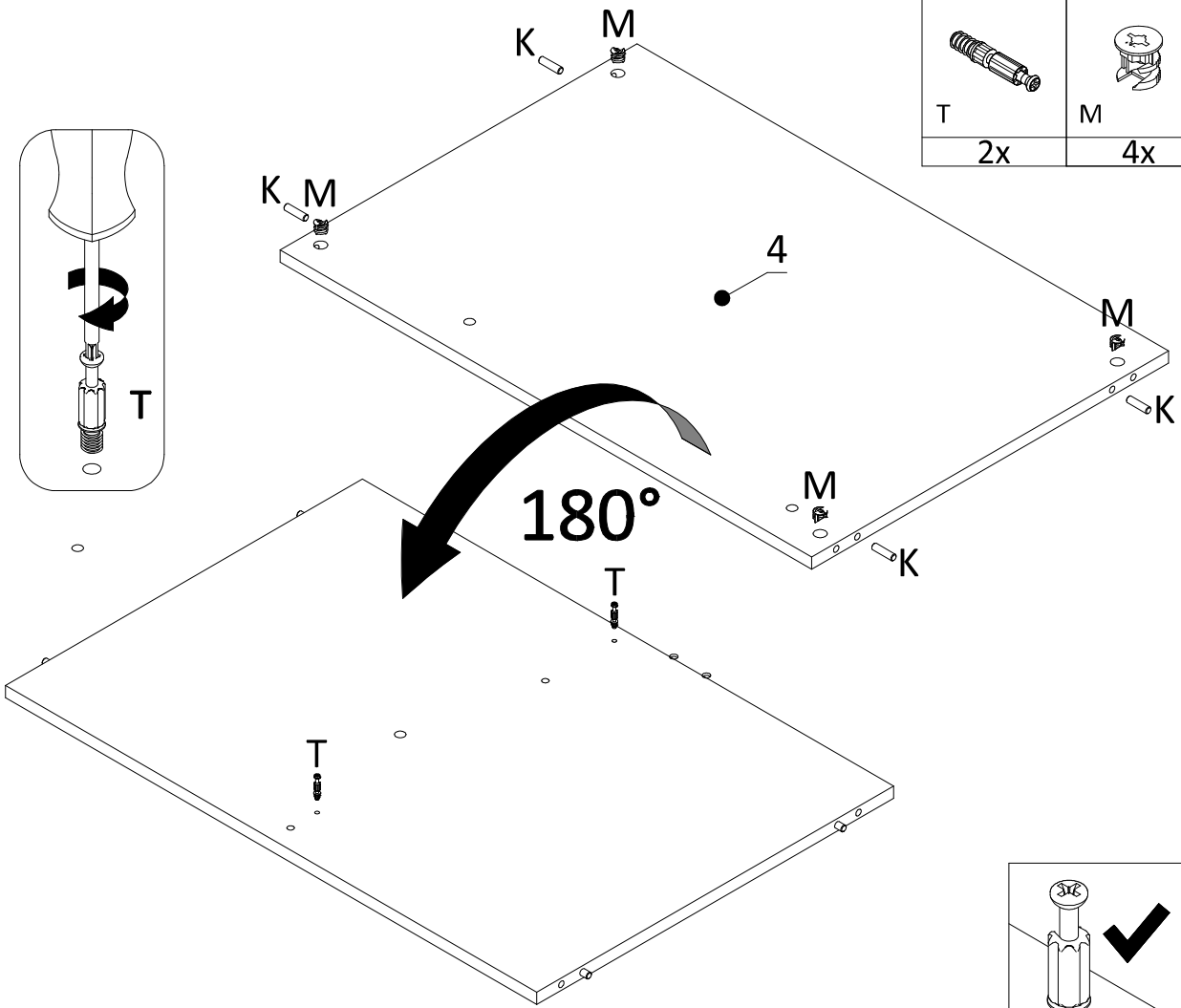
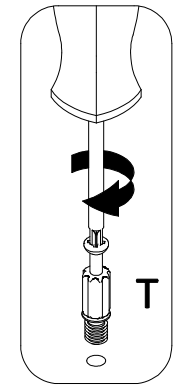




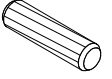
		
T	M	K
2x	4x	4x

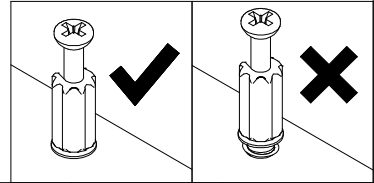


	
✓	✗

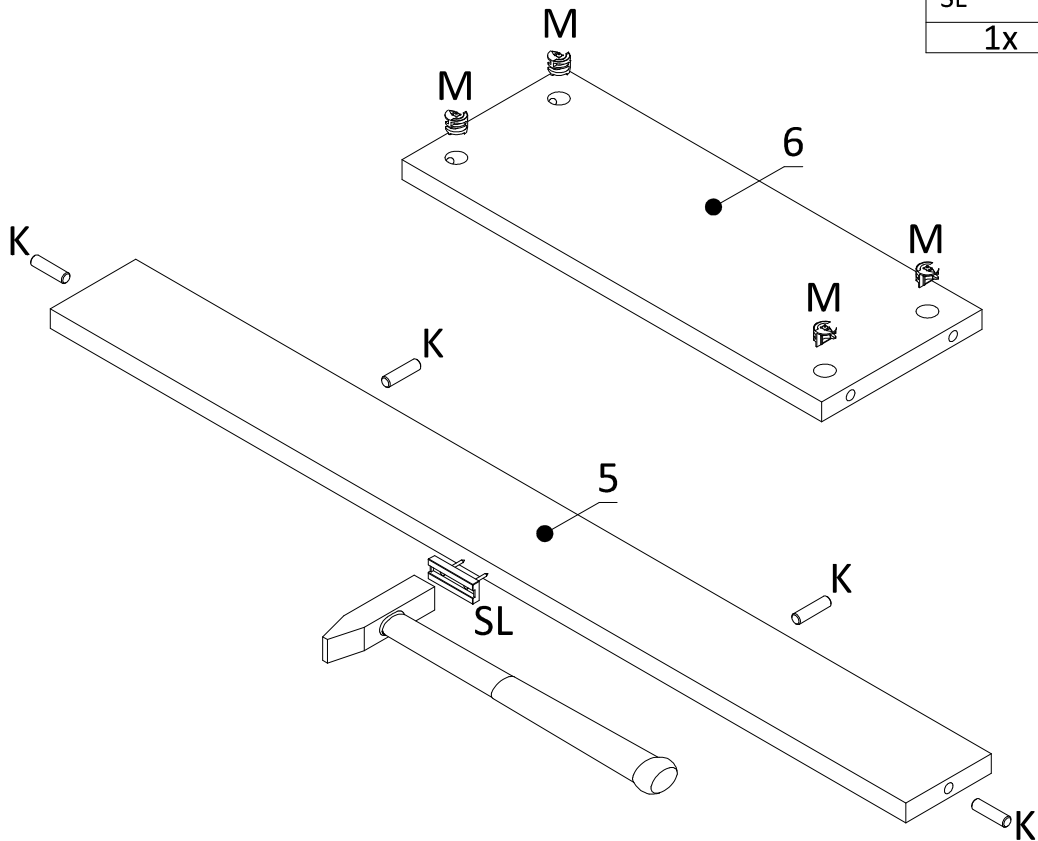
# 3

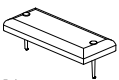

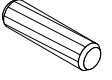


		
T	M	K
2x	4x	4x

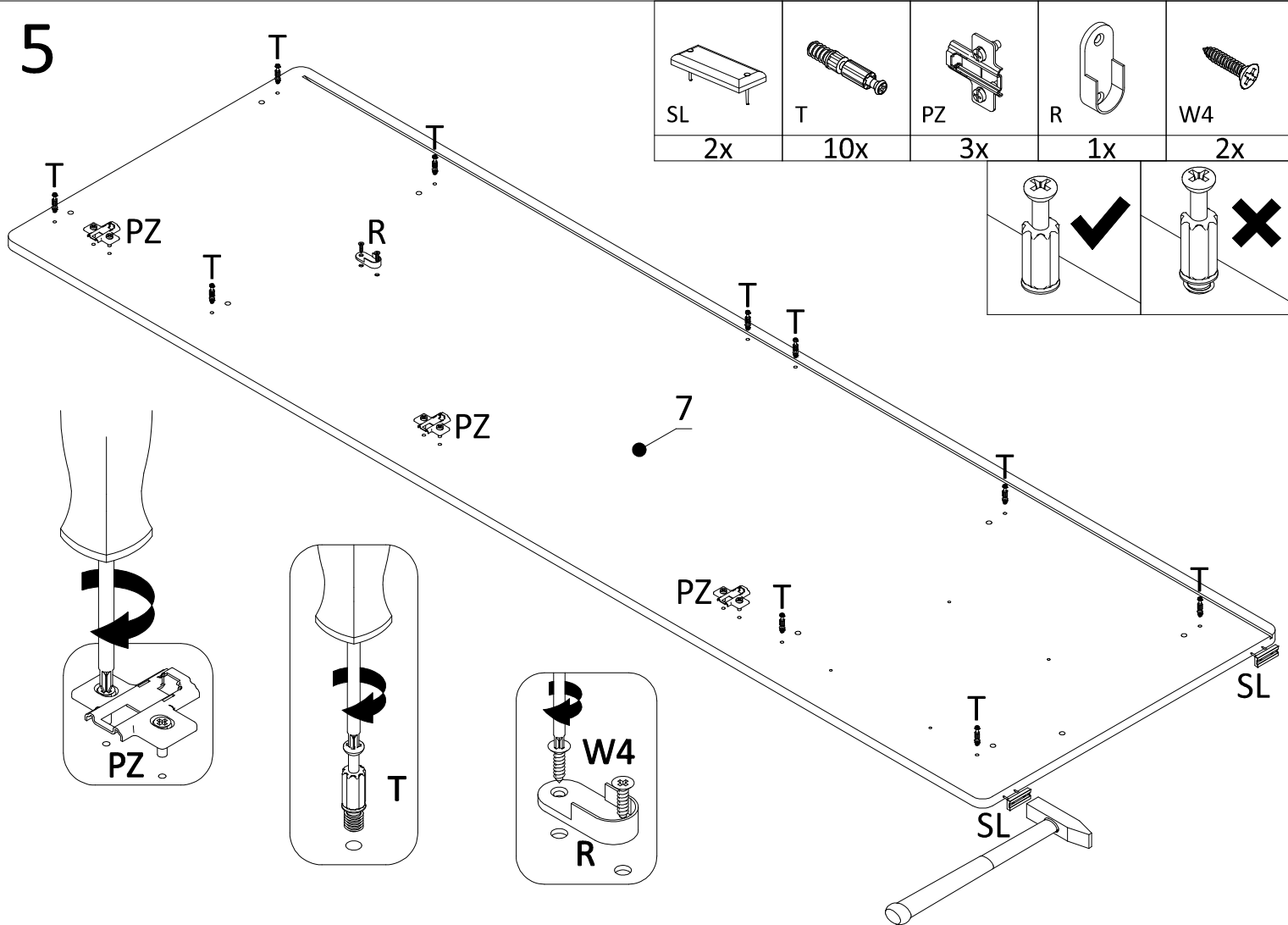


# 4

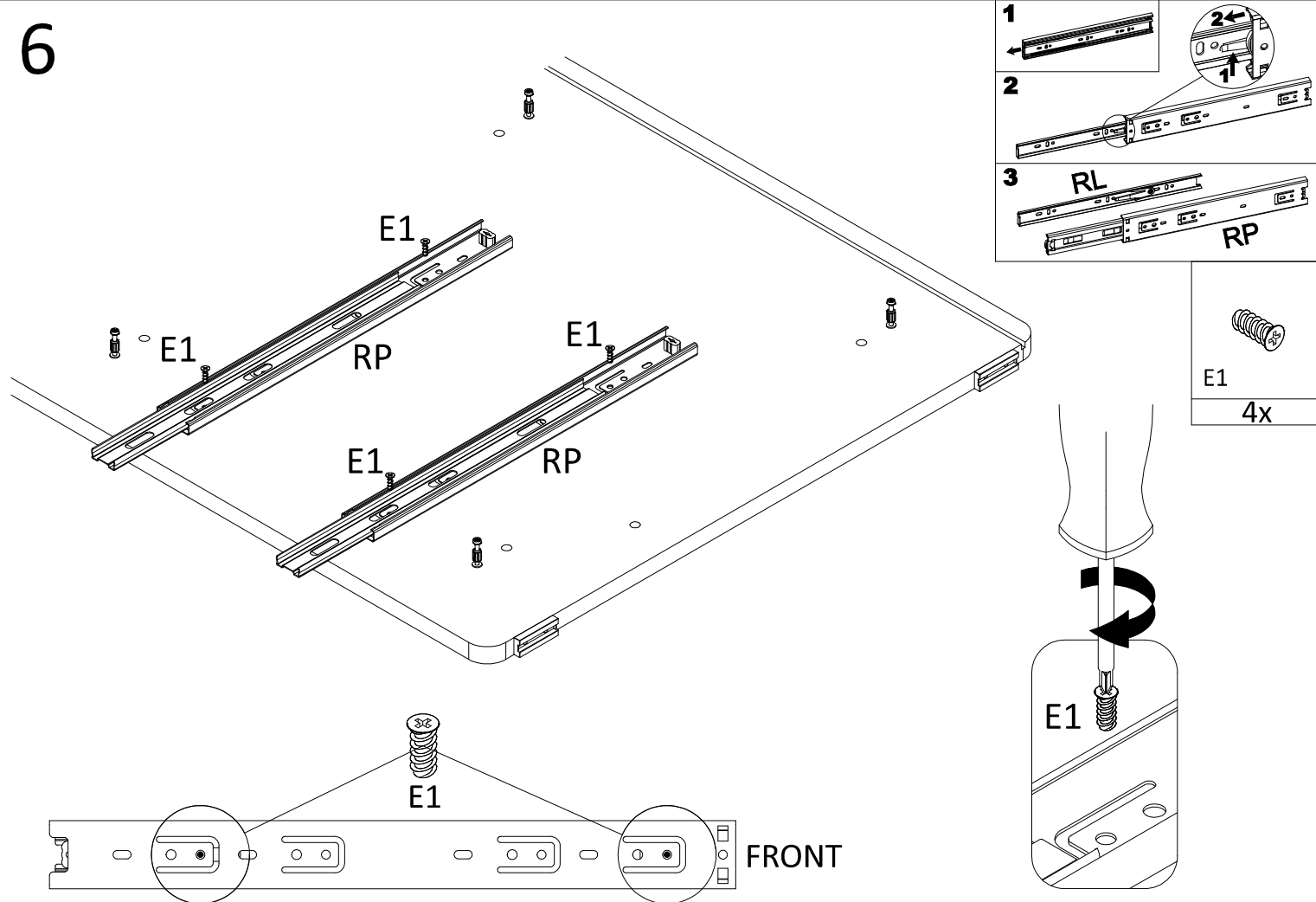


		
SL	M	K
1x	4x	4x

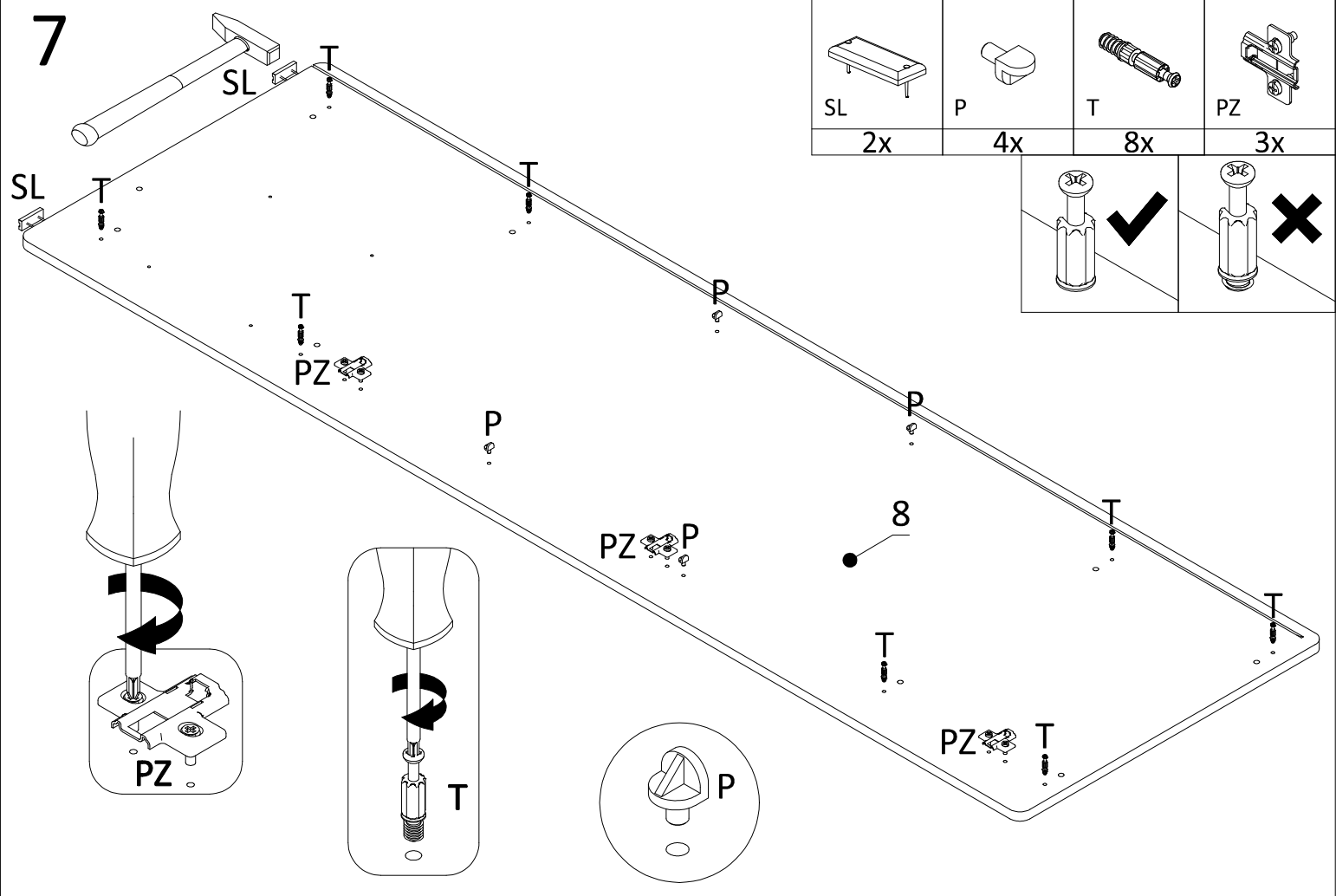
# 5



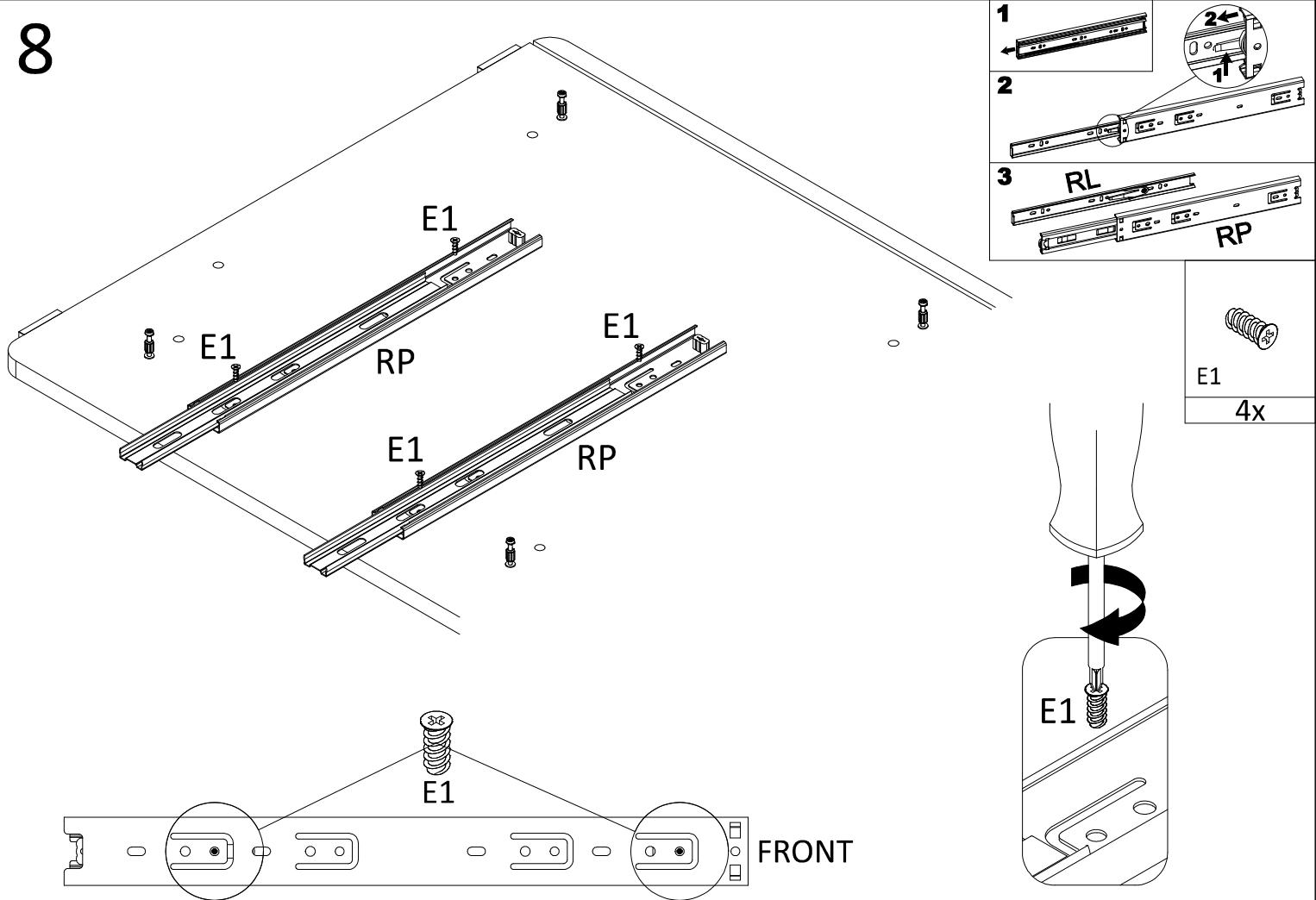
# 6



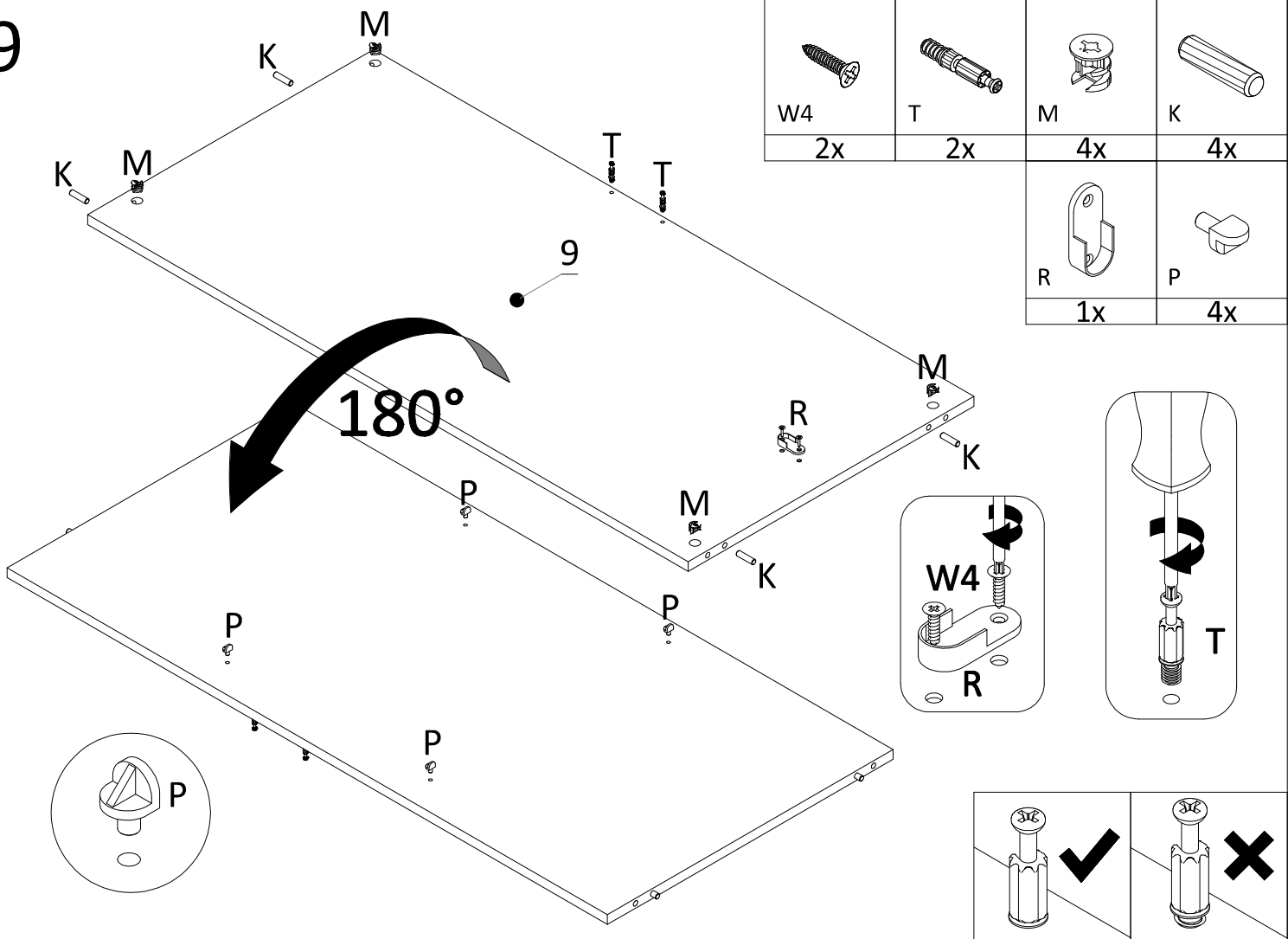
# 7



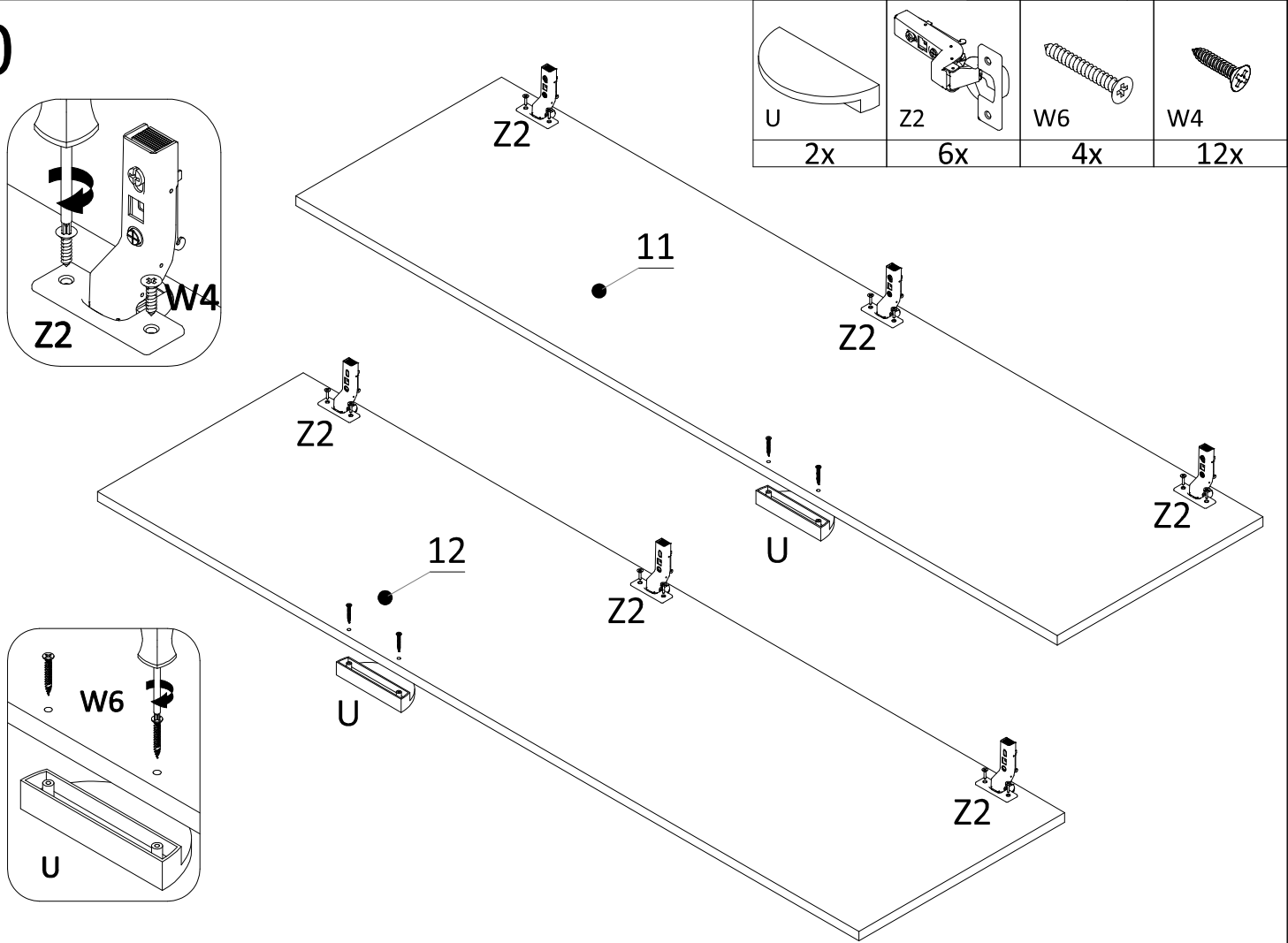
# 8



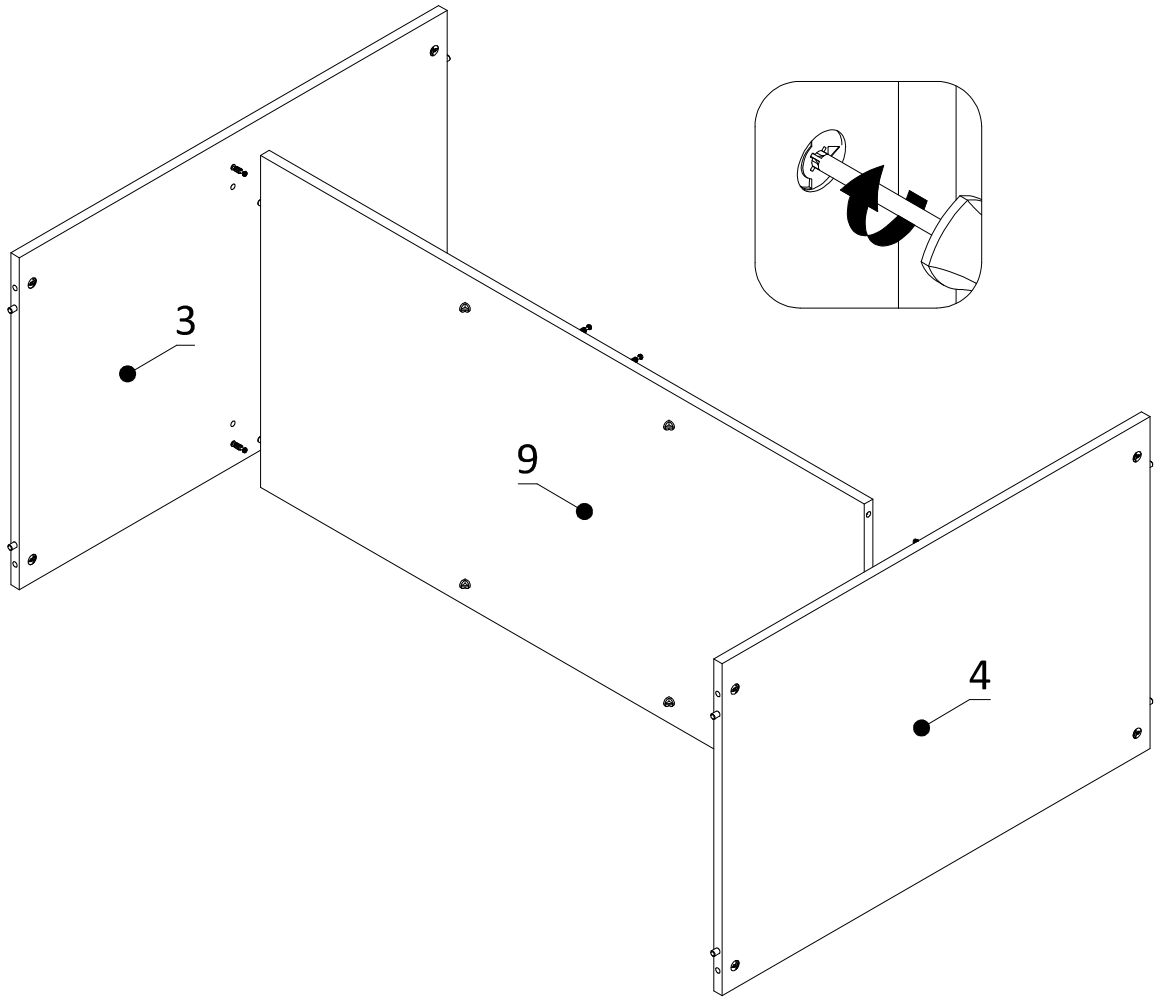
9



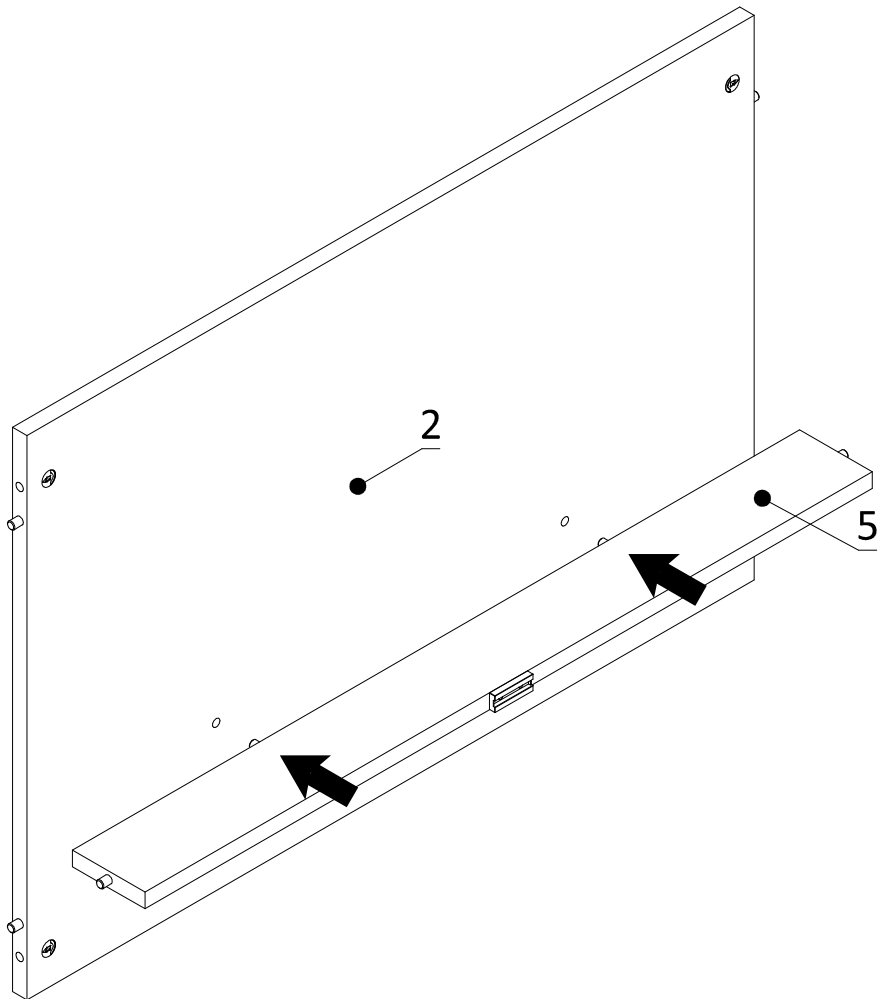
10



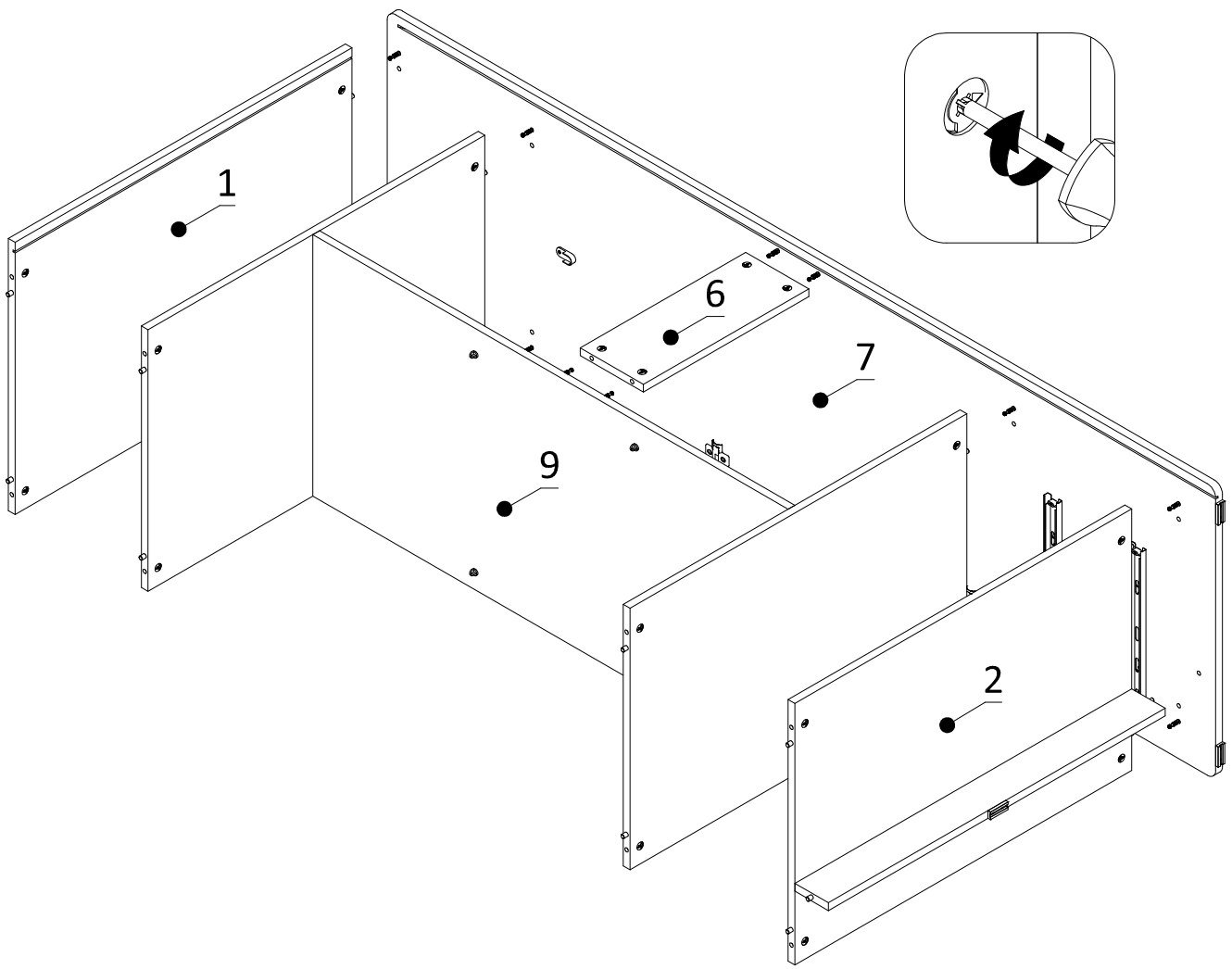
11



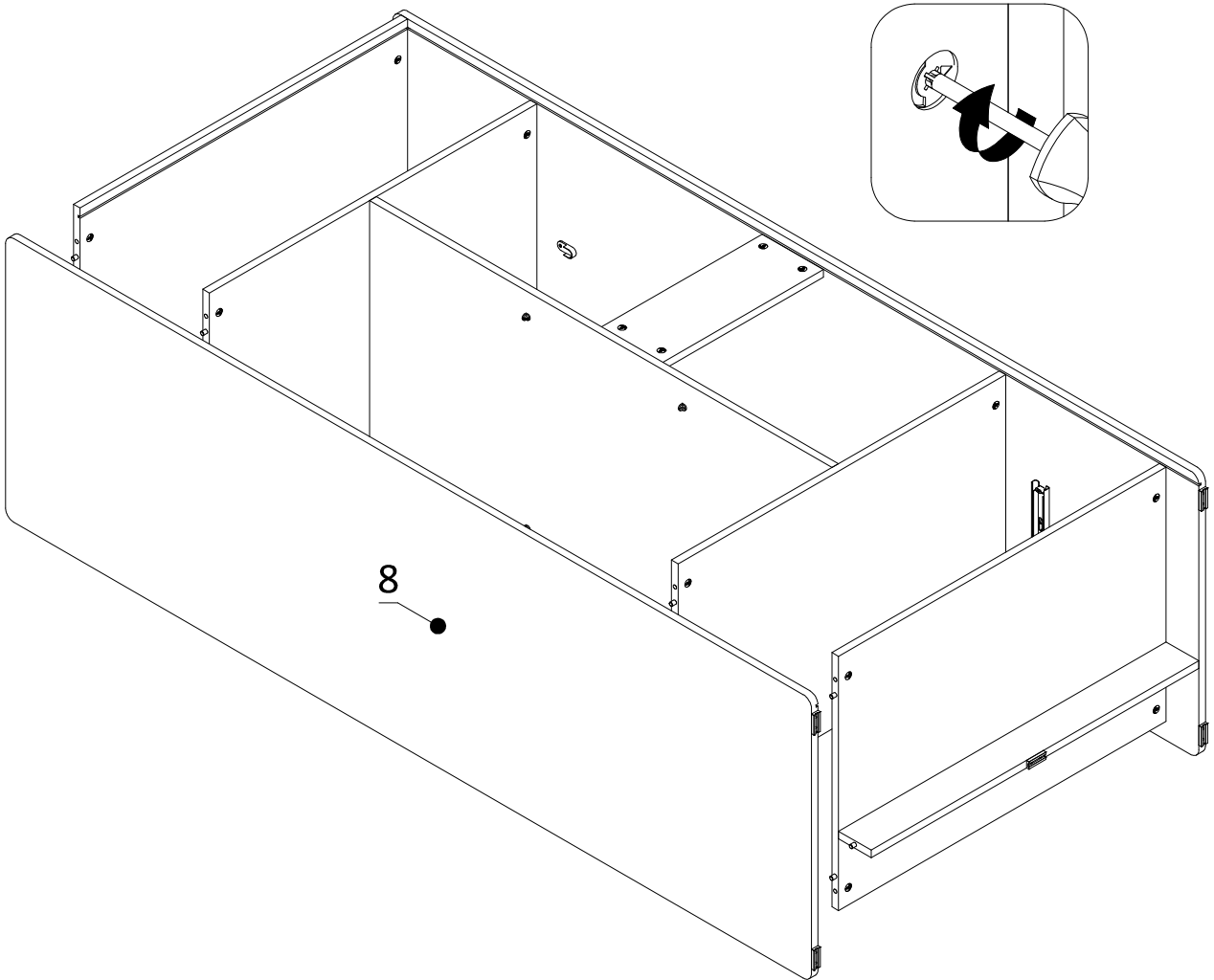
12



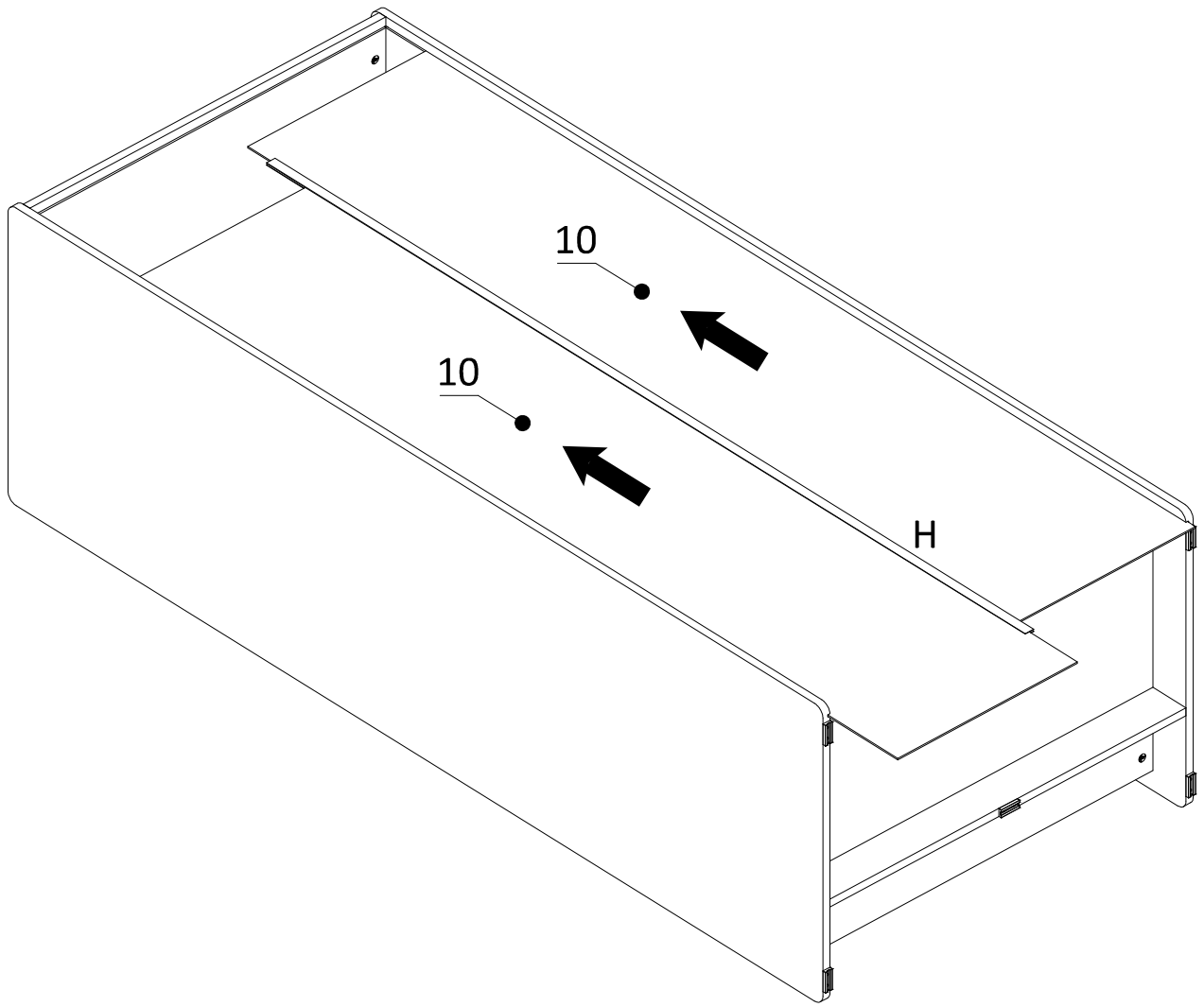
13



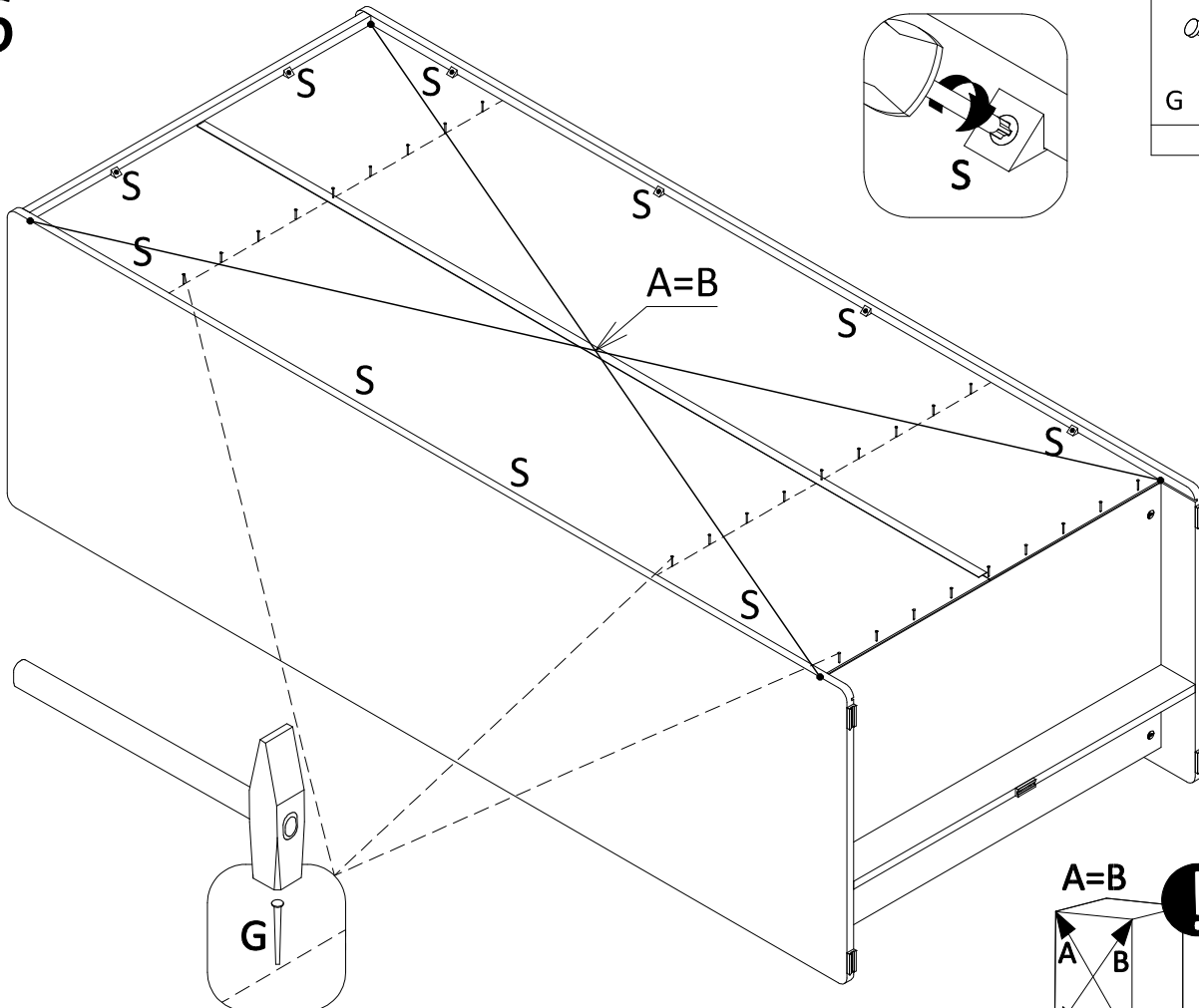
14


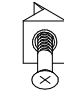


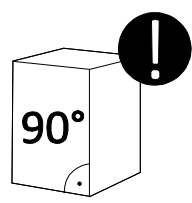
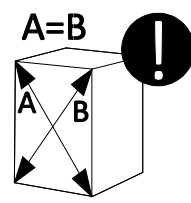
15



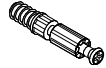
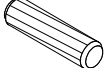
16

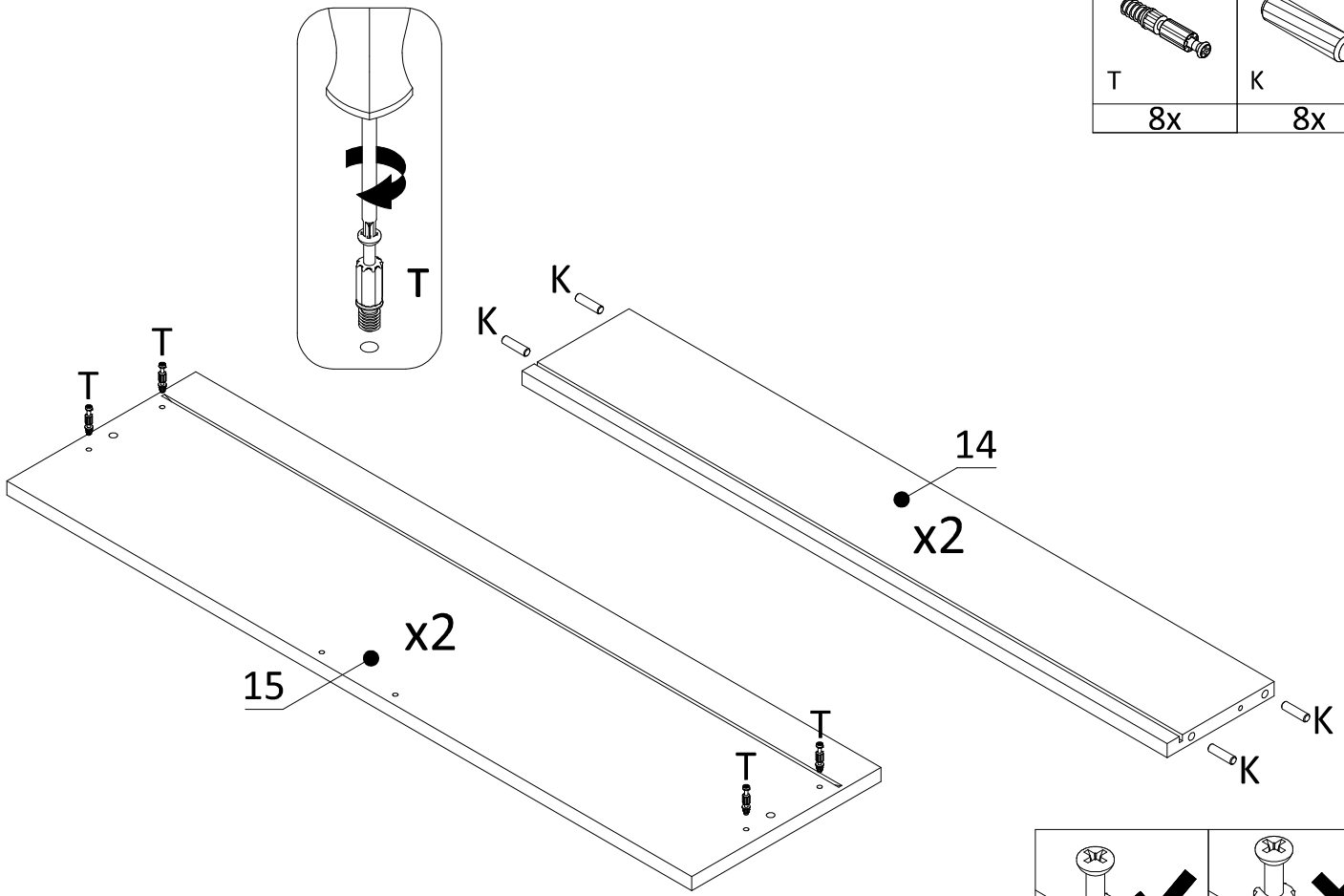


 G 27x	 S 10x
---	---



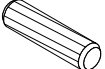


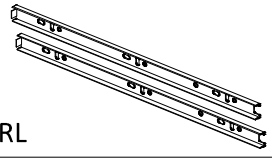
# 17

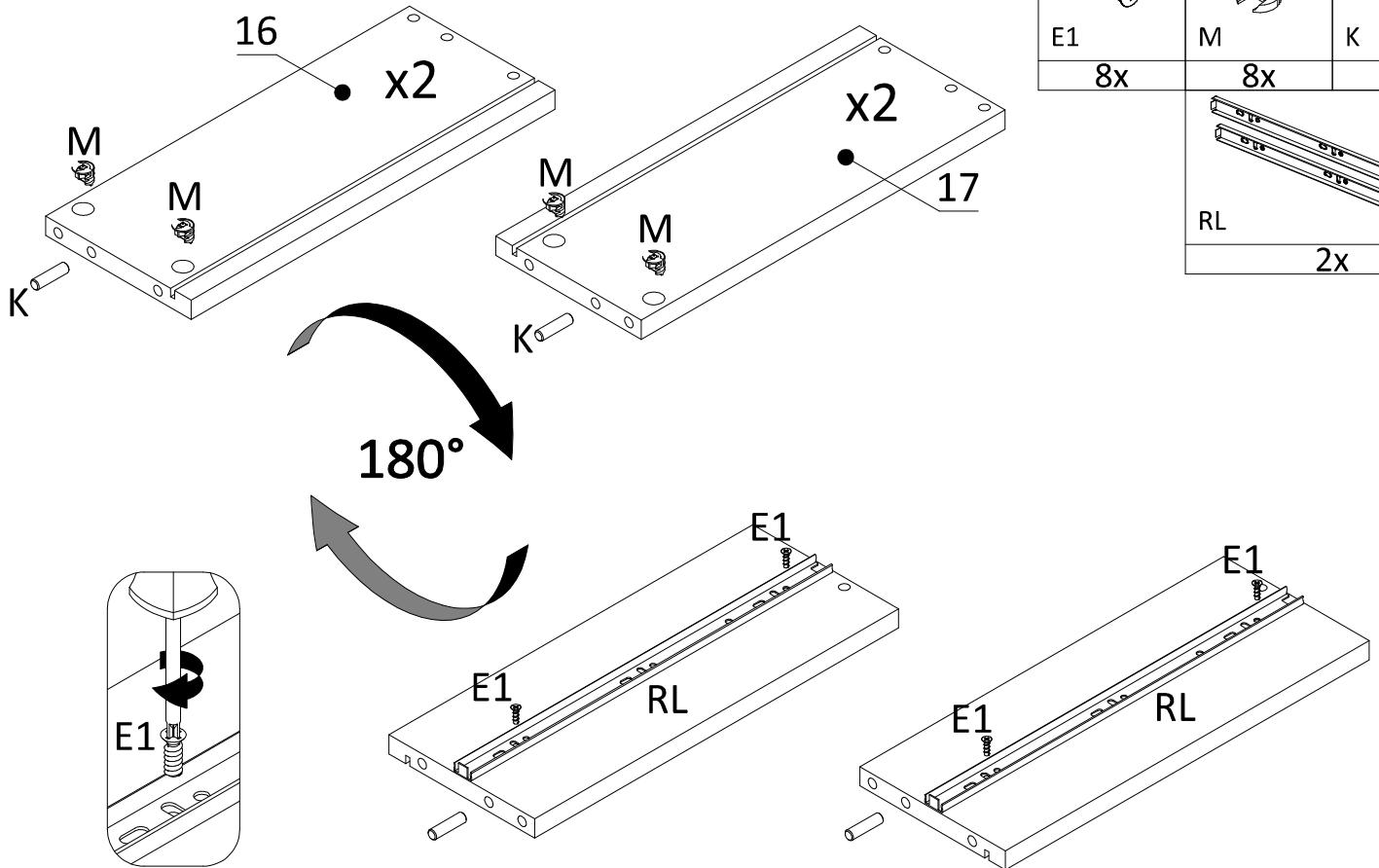
	
T	K
8x	8x



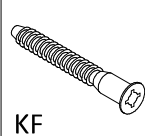
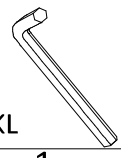
# 18

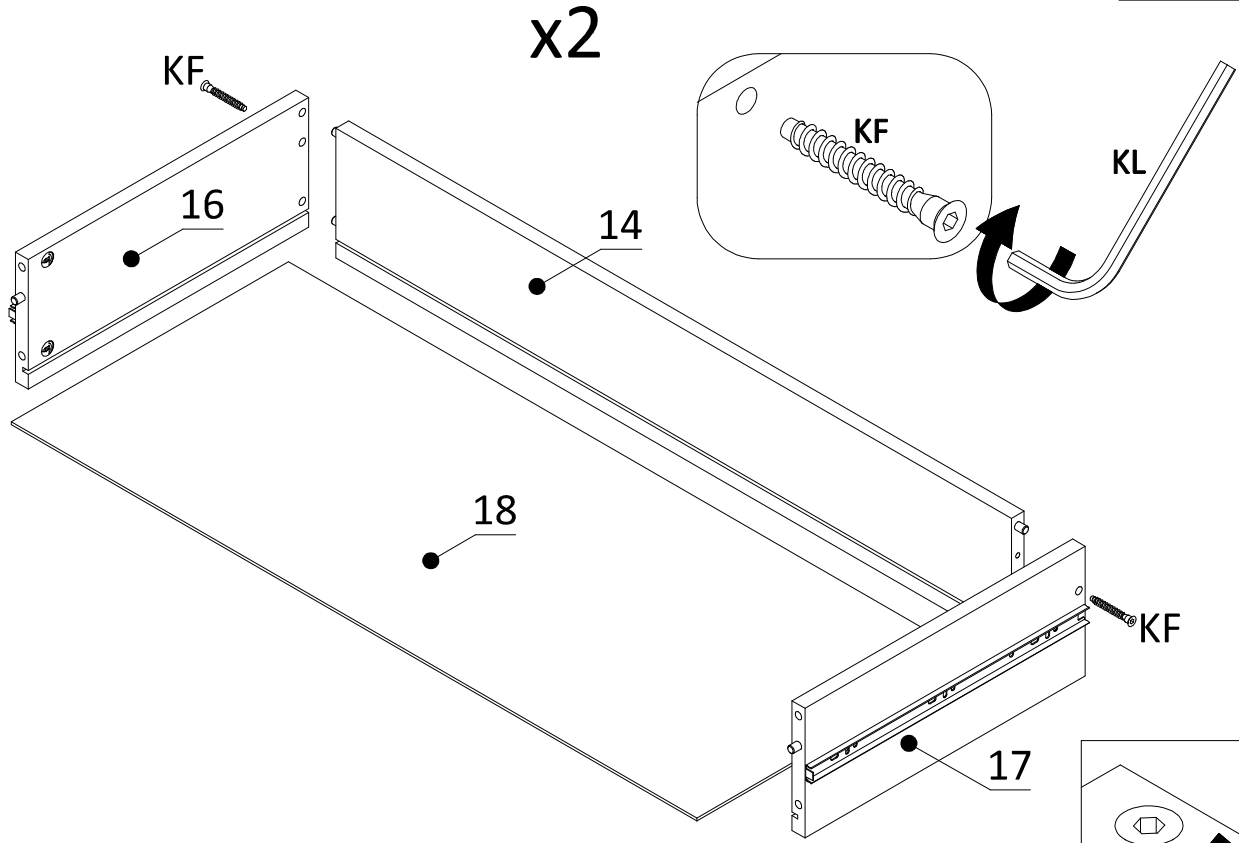
		
E1	M	K
8x	8x	4x


RL
2x

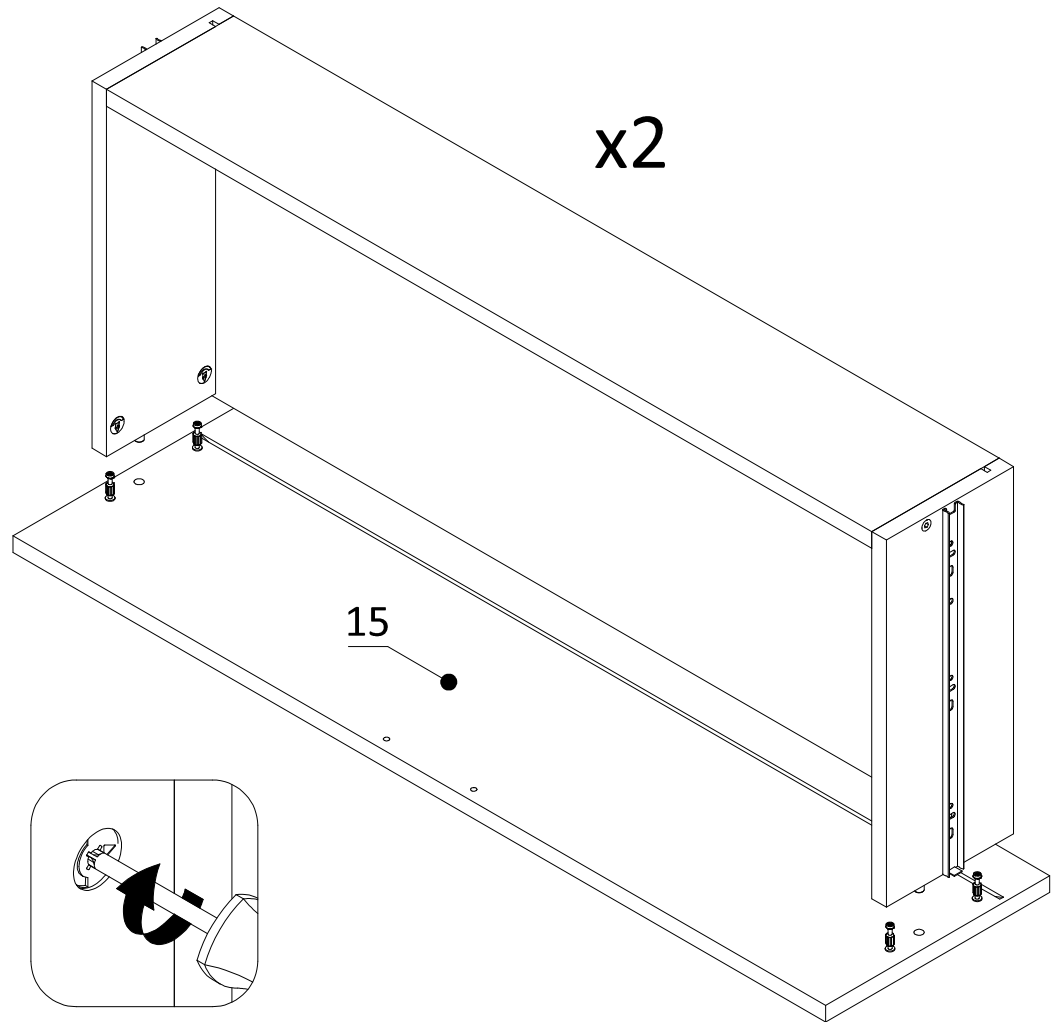


# 19

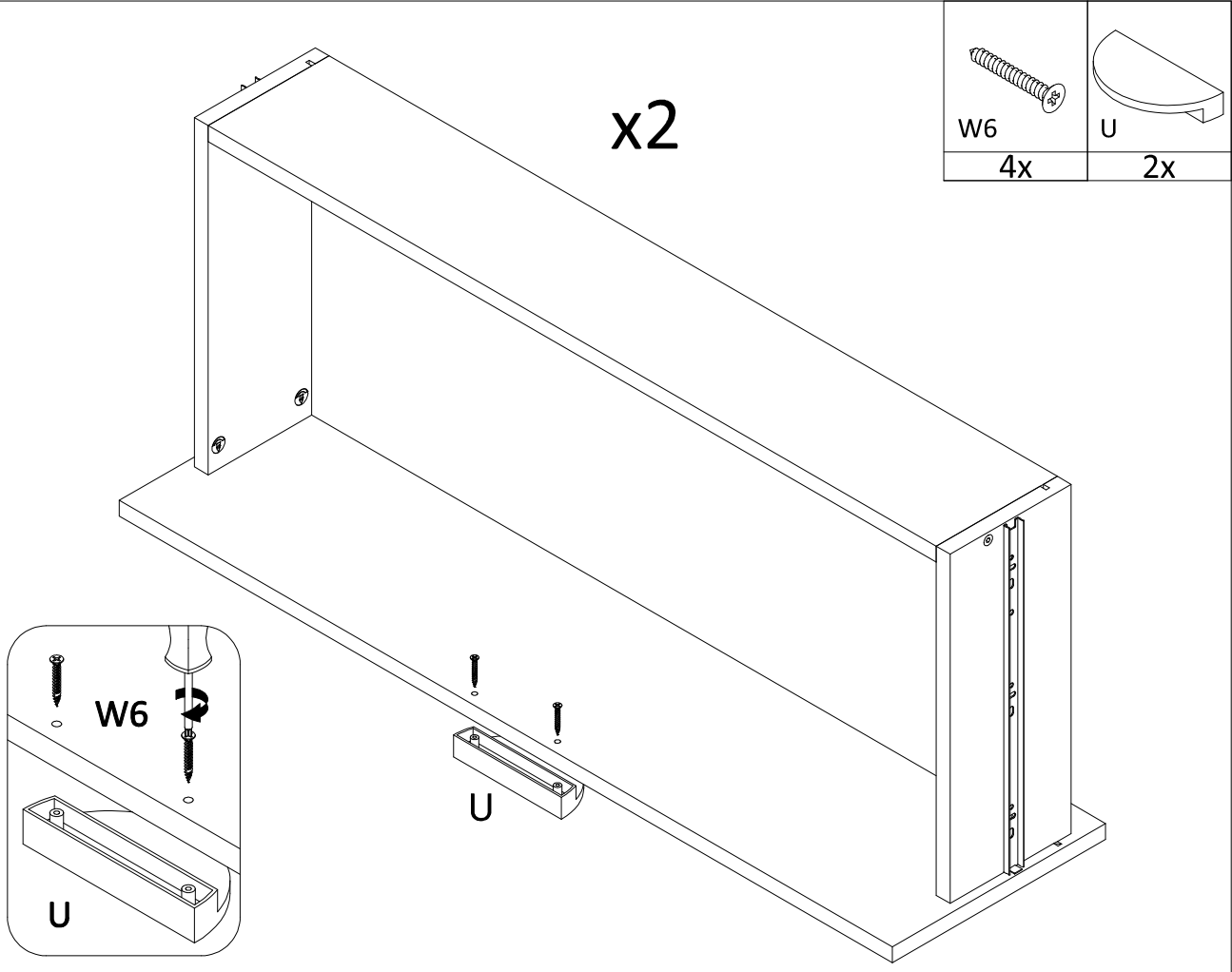
	
KF	KL
4x	1x



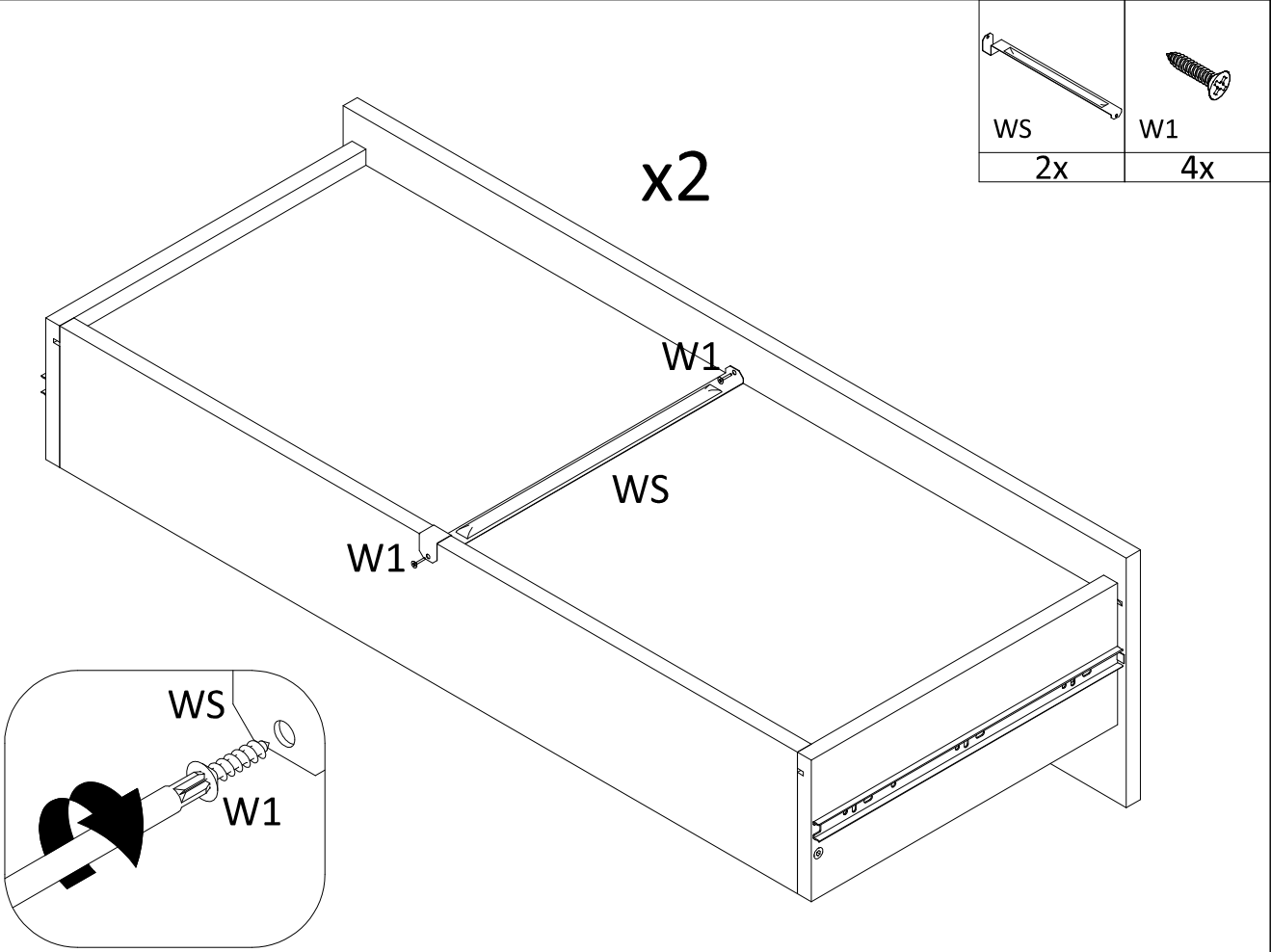
# 20



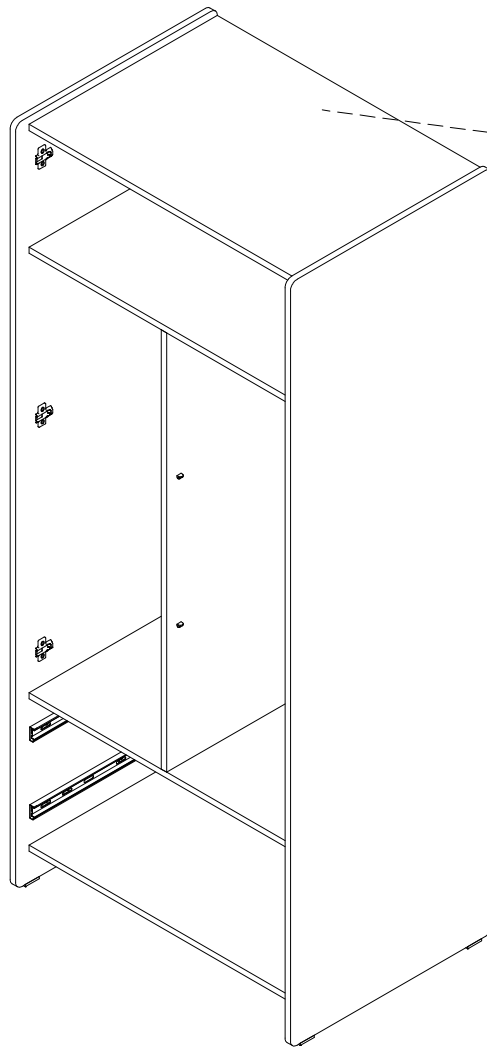
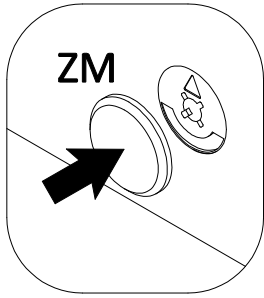
# 21



# 22



# 23



 PS 1x	 1
 2	 3
 4	

# 24

